

# Ditec Smart Plus

**Rational, for fast access in total safety**  
**Simple and compact design**

## **Simple and compact for fast access**

Ditec Smart is a fast door characterised by rationality, compactness and modularity: these features facilitate their installation and allow operations to be performed without difficulty on all its components.

The sturdy and essential load-bearing structure, the motor and Ditec original components, optimally designed and tested along with the modularity of the curtains, are the elements which make Smart a safe door, aesthetic, very pragmatic, easy and fast to assemble and practical during maintenance, inspection and controls.

The extremely small sizes allow installation even where there are problems of space.

## **Maximum rationality, without giving up aesthetics**

The fast Ditec Smart doors are not only practical, but also aesthetically pleasing.

In addition to the version with complete curtain, the modular one may be chosen combining the different colours available to the transparent central sector.

## **Outside mounted motor with speed options**

The motor, outside the structure of the door, guarantees maximum performance and easy inspection.

The motor is, furthermore, provided complete with the manual emergency reopening device.

The motor comes on the left outside as standard, but is also available mounted on the right as an option, to better meet the various operational requirements.

Upon request, the motor can be equipped with an *INVERTERmotion* system, ensuring both high performance and safety.

The *SOFT START* and *SOFT STOP* functions, being part of the system, reduce stress on mechanical parts, ensuring reliability while prolonging the lifetime of the door.



Why choose  
Ditec Smart Plus

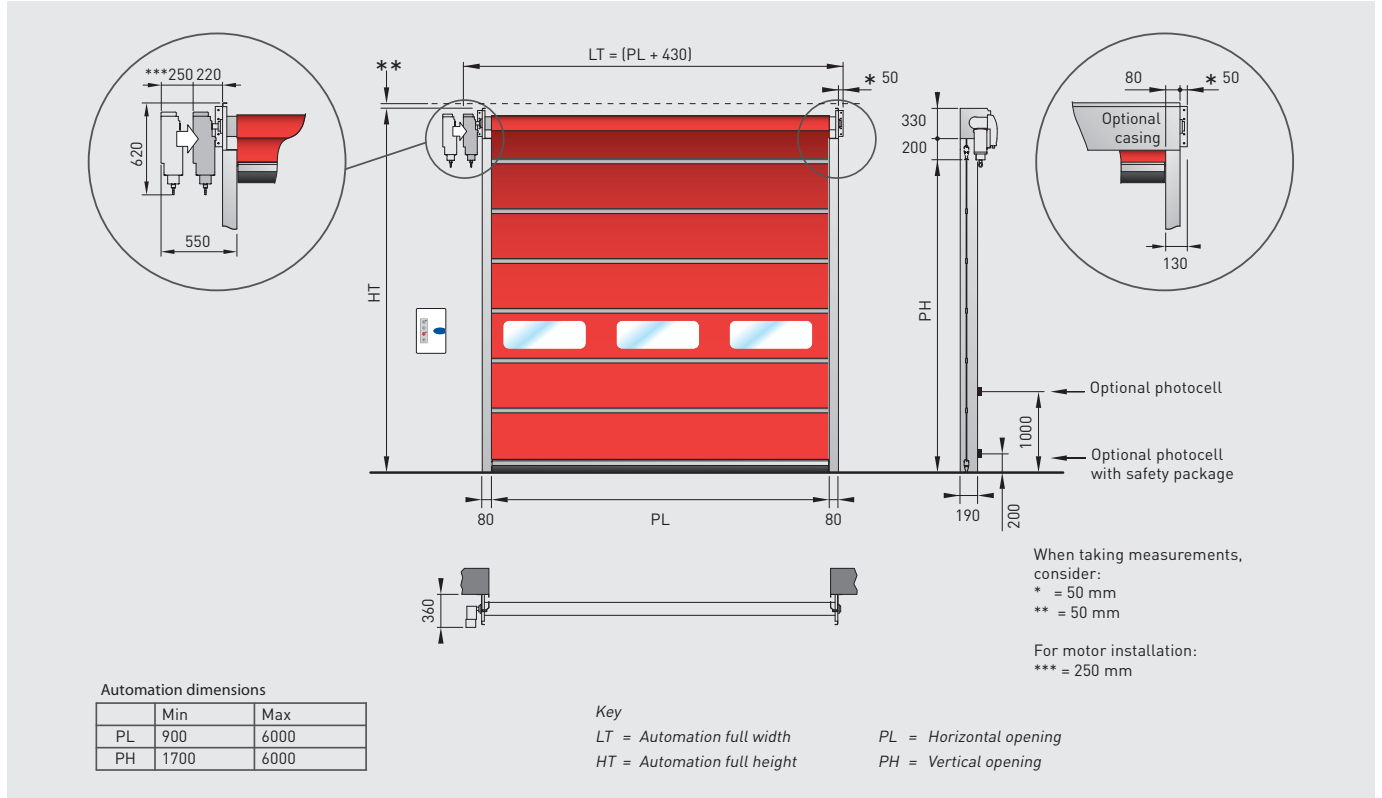
Simple and compact  
for fast access

Medium  
traffic

Limited  
space

Aesthetically  
styled

## Dimensional specifications



## Flexible curtain features (maximum values)

