

Ditec Smart Reset

Self-repairing, safe and high performance
Simple, reliable and compact

Maximum functionality with the special self-repairing system

Ditec Smart Reset offers something unique in its product class: the special and innovative system that makes the door self-repairable.

With a simple and automatic opening and closing manoeuvre, the curtain can be retrieved if it accidentally slips out of its housing: after contact with an object, the door resets the first time it is opened.

Simple, reliable and compact

The Ditec Smart Reset roll-up door has a sturdy and compact supporting structure, a motor mounted outside the door, easily and quickly accessible for inspection, and components that are well-designed and thoroughly tested. These key features make this door an aesthetic, pragmatic solution which is easy and quick to assemble, safe and reliable.

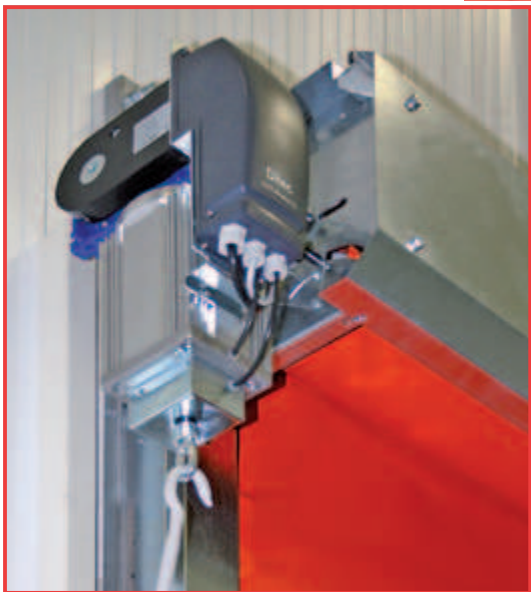
Maximum levels of safety

The door can be equipped with the *INVERTERmotion* system, the exclusive electronic SLE device, and can also be opened manually with an emergency device with a crank handle usable from the ground.

Tight-sealing curtain available in multiple solutions

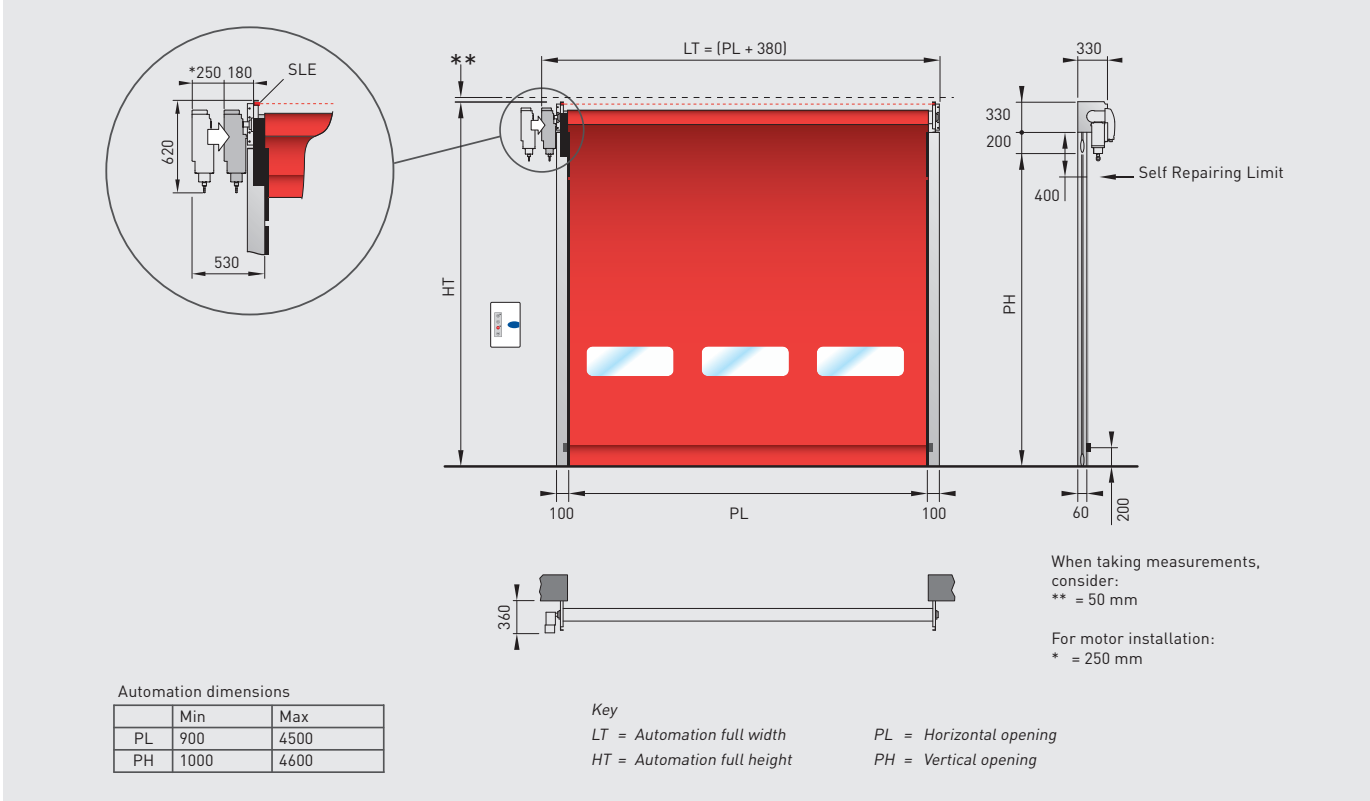
The flexible curtain is available in the standard or large window section version in transparent PVC, in non-tear polyester in blue, grey or red, insulated in the blue and grey or FDA (Food and Drug Administration) certified white food grade also in conformity with the EC directives for the food industry.

The multiple solutions offered allow the various operational requirements and the different regulations of specific sectors of application to be met, guaranteeing good visibility and improving safety during passage.



Why choose Ditec Smart Reset	Self-repairing system	High traffic areas	Limited space	Quick reaction	High wind resistance without compromising safety
---	----------------------------------	-------------------------------	--------------------------	---------------------------	---

Dimensional specifications



Flexible curtain features (maximum values)

