

Ditec Sector Plus

Counterweights ensure safe and reliable high performance
With built-in motors, for perfect aesthetic cleaning

Safe and reliable thanks to the modular counterweights system

Technologically advanced, it has a built-in motor which, operating with the minimum consumption of power, allows energy to be saved and extends the life of the automation. The door features a modular counterweight balancing system with sturdy traction belts ensuring safe, smooth and reliable operation, while extending the lifetime of the door.

Differentiated speed settings for better efficiency

Sturdy, reliable and safe, it is the ideal automatic door for areas that have to quickly handle passage of goods or people, both inside buildings and for areas of transit to the outside.

The *INVERTERmotion* systems offers differentiated speed settings, acceleration and braking, high performance and safety.

Sturdy and reliable, it can be easily adapted to every type of context both industrial and commercial, where the speed of access is important: supermarkets, car dealers, warehouses, logistics centres and production plants.

Aesthetic and safe flexible curtains

The flexible curtain in the Ditec Sector door is available in a wide range of standard colours or in special colours upon request: even combined with a transparent central section, which allows the most diverse operational requirements to be

met, guaranteeing greater visibility and improving safety during passage through the door.

With built-in motors, for perfect aesthetic cleaning

The built-in motor operates at the lowest possible power, conserving energy and prolonging operator life. Its hidden position allows even problems of an aesthetic type to be resolved without reducing the width of passage.



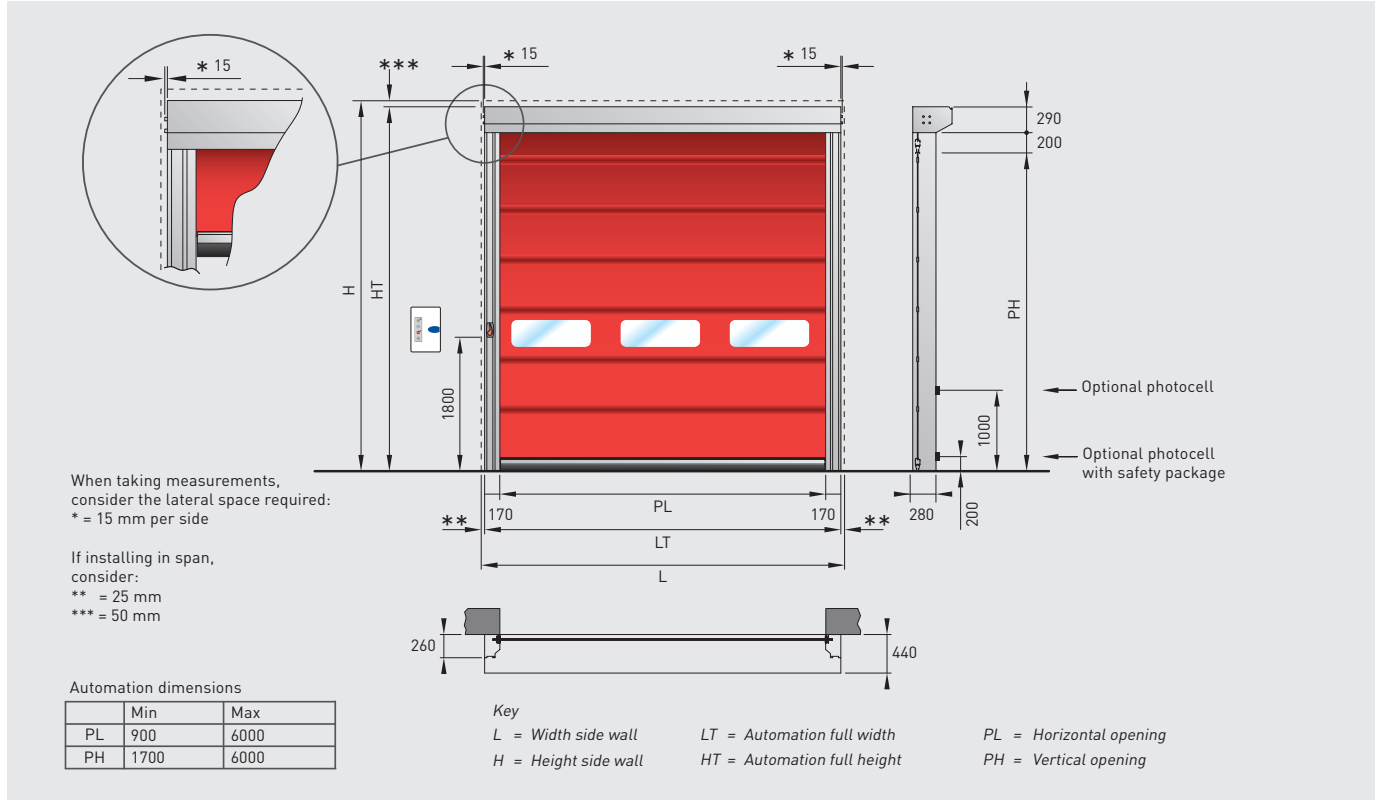
Why choose
Ditec Sector Plus

Safe and reliable,
high performance

Very heavy-duty
use

Aesthetic
flexible curtains

Dimensional specifications



Flexible curtain features (maximum values)

