

Ditec Luxo

Sturdy and indefatigable, for swing gates with doors up to 5 metres
For heavy duty

The privilege of beauty

Smart and refined, Ditec Luxo was designed to be admired and desired.

Its modern and futurist look features soft and smooth lines and makes it suitable for any type of gate frame.

The automation has been designed to comply with the sturdiest and most reliable Ditec systems.

Being made of aluminium, it looks light and clean; this will ensure its long life, withstanding harsh weather, and is further enhanced by an additional polyester coating.

Every detail and shape has been carefully and passionately designed.

Total life time reliability

System and power connection cables are located in a specially designed raceway **02** to avoid scratching, torsion and wear during operation, thus preventing any possible damage.

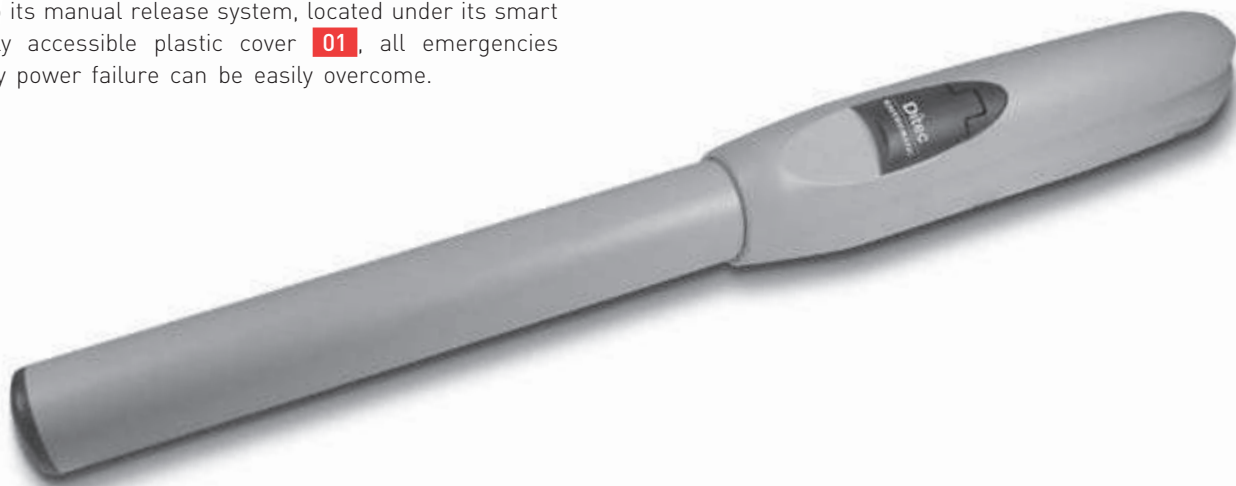
Brackets are made of galvanized steel **03** while rotation bushes are made of hardened steel to ease the movement of the automation and to resist wear and tear.

Easy installation

Under the upper casing all electric connections are neatly gathered **04** to make both installation and maintenance easy and quick.

Power failure? No problem!

Thanks to its manual release system, located under its smart and easily accessible plastic cover **01**, all emergencies caused by power failure can be easily overcome.

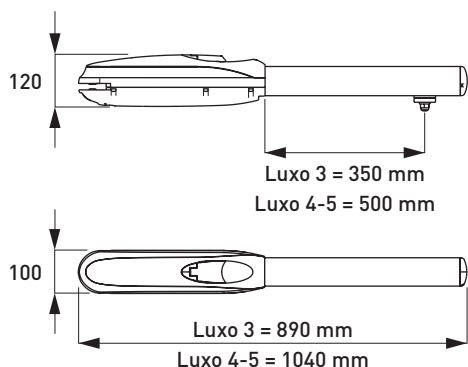


Product range

Heavy duty	Wing
Luxo 3B - Luxo 3BH	up to 3.5 m
Luxo 4BH	up to 4 m
Luxo 5B - Luxo 5BH - Luxo 5VBH	up to 5 m

Dimensions

Luxo



Smartly designed, details included

All fixing screws **05** are made of stainless steel to be weatherproof and to preserve the beauty of the whole automation system over time. However, they are intentionally and cleverly hidden by the designer's attention to detail. Sturdy, durable and reliable, it works quietly to be admired and desired **06**.

Distinctive features

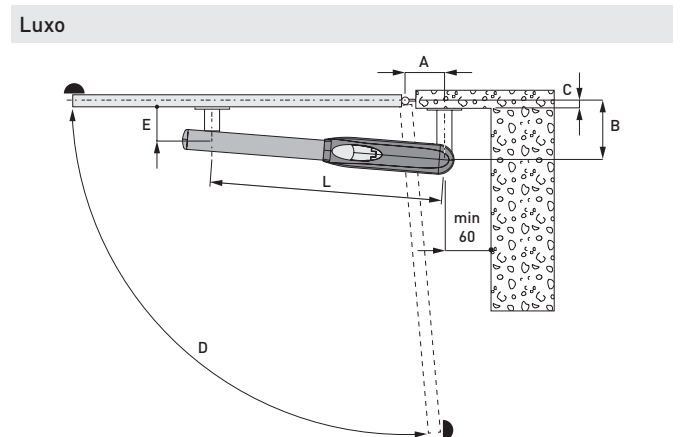
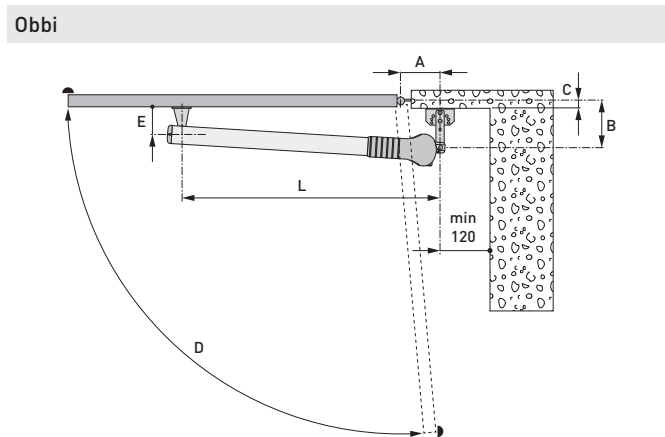
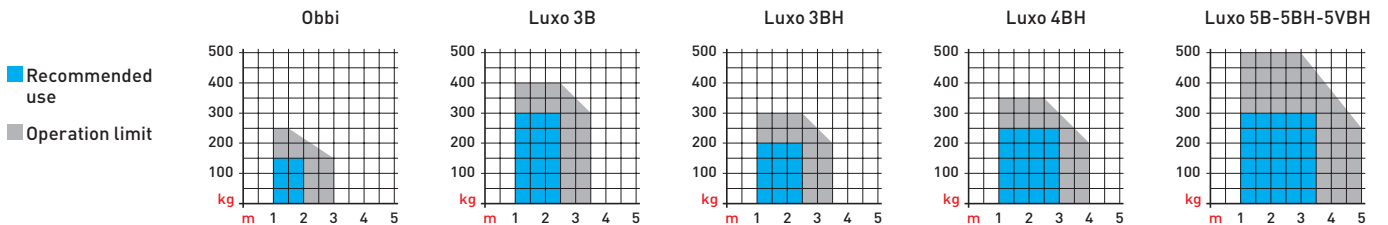
- Irreversible or reversible, customer specified (230 V AC version)
- Version with dustproof brushes and limit switch as standard
- Version with 24 V DC motor, partly open, speed adjustment, soft start and soft stop

Special accessories

- Limit switch unit
- Back-up battery pack to be used in the event of a power failure



Operation diagrams and charts



A	B	C max (90°)	D max	E	L
150	150	85	100°	75	910
120	160	95	100°	75	910
120	180	115	100°	75	910
160	120	55	110°	75	910

(*) Use measurements between minimum and maximum								
	A*	B*	A	B	C	D	E	L
Luxo 3B Luxo 3BH	min 105 max 130	min 120 max 170	130 105 130 170	170 140 130 130	100 70 60 50	90° 90° 95° 110°	90	760
Luxo 4BH Luxo 5B Luxo 5BH Luxo 5VBH	min 130 max 200	min 170 max 290	170 200 200 130	170 200 170 290	100 130 100 220	90° 95° 100° 90°	120	910